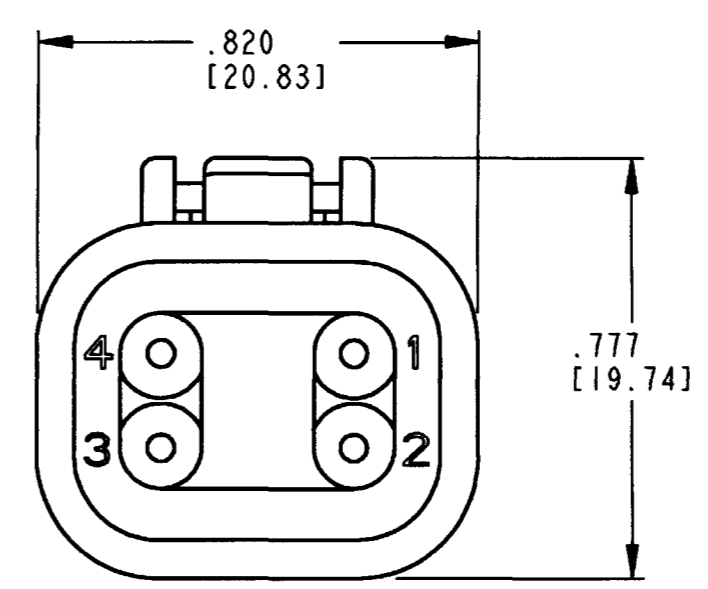
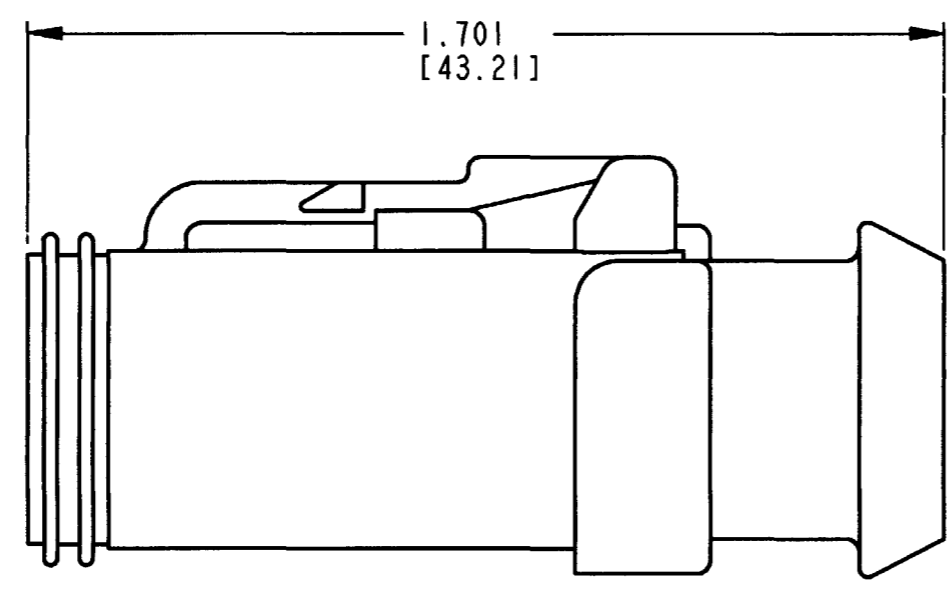


REV
A DT06-4S-E008

REVISIONS			
SYM	DESCRIPTION	DATE	APPROVED
NC	NEW RELEASE PER E.O. A14881	8/18/95	R.D.R.
A	REVISED PER E.O. P17972	12-5-02	RDR



- 6. COLOR OF SHELL AND WELD CAP: GREY.
- 5. CONNECTOR MATERIAL IS PLASTIC; GROMMET IS RUBBER.
- 4. THIS PLUG MATES WITH DT04-4P-**** RECEPTACLE.
(**** = ALL MODIFICATIONS) CONSULT FACTORY FOR MODIFICATIONS.
- 3. FOR CONTACTS AND WIRE PERFORMANCE AND APPLICATION CHARACTERISTICS.
SEE ENVELOPE DRAWING 0425-015-0000 AND 0425-017-0000.
- 2. DIMENSIONS ARE ±.025 [.64] UNLESS OTHERWISE SPECIFIED.

NOTES: 1. ALL DIMENSIONS ARE INCHES [MILLIMETERS].

SIGNATURE & DATE	
DR	C. WOODRUFF 04AUG95
CHK	<i>W. J. ...</i> 12/4/02
PE	<i>John ...</i> 12/6/02
APPD	<i>Spence</i> 12-2-02
SCALE	NONE WT

4 WAY PLUG
-E008 MOD.
DT SERIES

ENVELOPE

CP	MATL. CODE
The Deutsch Company DEUTSCH I.P.D. 3850 INDUSTRIAL AVE. HEMET, CALIF. 92545	
B	DT06-4S-E008
DWG SIZE	CODE 11139 SHEET OF